

Access Control System i-A110LT

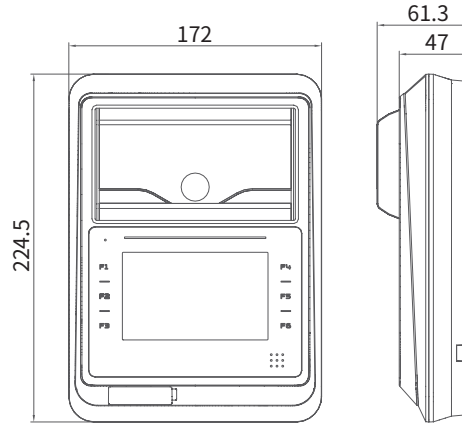
K E E S

Feature

- Iris authentication access control
- Iris authentication after facial detection through auto tilting
- Multiple authentications (Iris+RF Card+Pin code)
- Long distance of authentication(40~100cm)
- Fast authentication speed: within 1sec after capture Iris
- Store up to 10,000 templates
- Visual and voice guidance through LCD and speaker
- Temperature scan of authentication attempter by thermal imaging camera
- Auxiliary LED for optimized face detection
- Various system interfaces: TCP/IP, RS485, RS232, Wiegand, USB2.0
- 12VDC

Dimensions

Unit : mm



Specifications

General		Tamper detection	Tamper (Product separation detection)
Firmware platform and OS	Arm Cortex A9 Quad Core/Linux	Voice guidance	Yes(English ,Korean, Chinese)
Mounting height	130cm	relay	relay x2
Authenticate height range	145cm~210cm (standard on user height)	GPIO	TTL INPUT x4(TTL Input_DC5V)
Authenticate distance range	40cm~100cm	Other ports	USB 2.0
Integration	SDK available (KT&C API) server communication: TLSv1/SSLv3, 1WAY, ECDHE-RSA-AES256-GCM-SHA384 DB: AES CBC-256bit/ARIA Support	RF Card	13.56Mhz Mifare/Felica(option)
Encryption		Communication	
Authentication		Ethernet	10/100 Base-T Ethernet (RJ45 connector)
Authentication methods	Iris(Single Iris, either eye,etc), Pin number, RFID(option)	Wiegand In/Out	Input 1ch, Output 1ch
Authentication speed	< 1 sec (after user's eyes are placed within capture volume)	RS-232	1ch
FAR	1 in 1,000,000	RS-485	1ch
Store iris template	Up to 10,000	Power	
Functions		Power input	DC12V(±10%)
Iris image output	Meets ISO 19794-6 2011 iris imaging standards	Power consumption	DC12V(±10%) Max. 2.2A
Iris image sensor	3840 x 2160 pixels, 10 bit depth	Physical and Temperature	
Iris camera lens	5xZoom	Dimension(mm)	163(W)x224.5(H)x61(D)mm
Face image sensor	1MP, 1280 x 720 pixels	Weight	Weight 1150g
IR Wavelengths of Iris Capture	wavelengths of 810 nm	Operating Temperature	32°F~113°F (0°C~45°C)
Thermal camera resolution	80X60 pixel	Storage Temperature	-4°F~140°F (-20°C~60°C)
Thermal sensitivity	<50mK (0.050°C)	Humidity	10%~90% Relative Humidity Non-Condensing
Thermal spectrum	LWIR(Longwave IR), 8µm to 14µm	Mounting	Flush or Surface mounting
Thermal status output	LCD(Temperature display)	Certificates	CE, FCC(TBD), KC certified
Auxiliary light	5,000k, Brightness level control	Optional model	i-A110L
Auto tilt	+30°/-20°		
Visual indicators on the LCD.	Red: within 40cm / Green: 40~100cm / Blue: out of 100cm		
Audio	2.0W speaker		
LCD	4.3" TFT LCD(800X480), Capacitive touch screen		